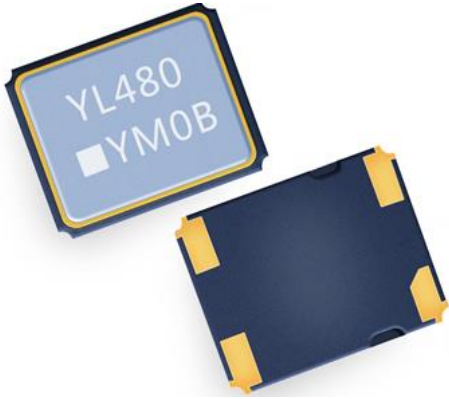


3225 TCXO Series



■ Features

- 3.2 x 2.5 x 1.1 MAX. mm of surface mounted quartz crystal units with thermistor.
- Excellent reliability characteristics such as heat and mechanical shock.
- Pb-free and satisfy RoHs requirements.
- Reflow soldering is available.

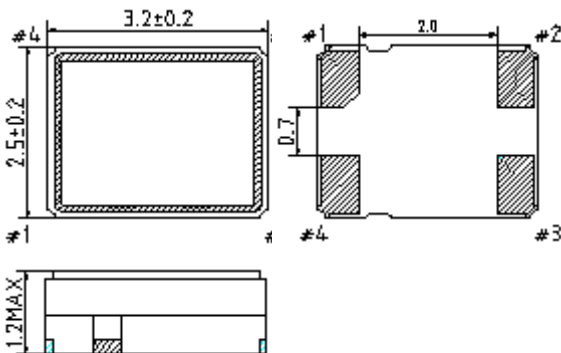
■ Applications

- Cellular phone(GSM & CDMA & WCDMA)
- GPS Module
- WIBRO,DMB,PDA
- Repeater

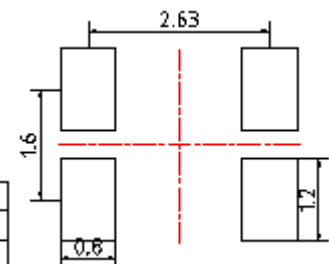
■ Specifications

Output Frequency	13 MHz ~ 40.0 MHz
Supply Voltage	DC +1.7V ~ +3.3V
Output Level (10kΩ//10pF)	0.8 Vp-p min.
Current Consumption	1.5 mA Max. (Below 32 MHz) 2.0 mA Max. (Above 32 MHz)
Operating Temperature Range	-30°C ~ +85°C
Storage Temperature Range	-40°C ~ +85°C
Frequency Stability	
vs. Temperature (Refer to 25°C)	±1.0, ±2.0 ppm Max.
vs. Supply Voltage (±5%)	±0.1 ppm Max.
vs. Load (10kΩ//10pF)	±0.1 ppm Max.
vs. Aging (per 1 year)	±1.0 ppm Max.
Frequency Tolerance (Initial at 25°C)	±1.0 ppm Max.
Frequency Tolerance (After Reflow)	±1.0 ppm Max.
AFC characteristics	Specify
Harmonics	-8 dBc Max.
Frequency Slope	
at -20 ~ 65°C	±0.1 ppm/°C Max.
at -30 ~ 85°C	±0.2 ppm/°C Max.

■ Dimensions (unit: mm)



■ Land pattern (unit: mm)



Pad No.	Connection	
	TCXD	VC-TCXD
#1	AFC or GND	Vcont
#2	GND	GND
#3	OUTPUT	Output
#4	VCC	Vcc