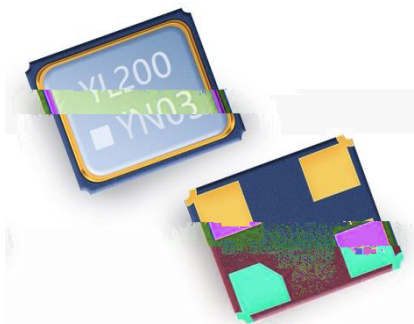


2Z Series



■ Features

- 2.5 x 2.0 x 1.0 MAX. mm of surface mounted quartz crystal units with thermistor.
- Excellent reliability characteristics such as heat and mechanical shock.
- Pb-free and satisfy RoHs requirements.
- Reflow soldering is available.

■ Applications

Mobile Communications

■ Specifications

| | | |
|---|---------------------------------|----------------------|
| Frequency range | 19.2/76.8 MHz | 26 MHz |
| Overtone Order | Fundamental | Fundamental |
| Frequency tolerance at 25°C | ±10 ppm | ±10 ppm |
| Operating temperature range and frequency stability | See Table 1 | See Table 1 |
| Equivalent series resistance | See Table 2 | See Table 2 |
| Shunt capacitance | 1.8 ~ 3.1 pF | 3 pF Max or specify |
| Load capacitance | 7 pF | 7, 9 pF |
| Drive level | 10 ~ 100 μW | 100, 150 μW MAX. |
| Insulation resistance (at DC 100V) | 500 MΩ Min. | 500 MΩ Min. |
| Thermistor Resistance | 100 kΩ ± 1% | 100 kΩ ± 1% |
| Thermistor B-constant | 4250 kΩ ± 1% | 4250 kΩ ± 1% |
| Aging at 25°C | ±0.7 ppm / year Max. | ±0.7 ppm / year Max. |
| Storage temperature range | -40 ~ +105 °C | -40 ~ +105 °C |
| Measure instrument | S&A 250B system with PI circuit | |

■ Table 1

Operating temperature range and frequency stability

| Temp \ ppm | ppm | | | | |
|--------------|-----|-----|-----|-----|-----|
| | ±5 | ±10 | ±12 | ±15 | ±20 |
| - 30~+ 85 °C | | ● | ● | | |

■ Table 2

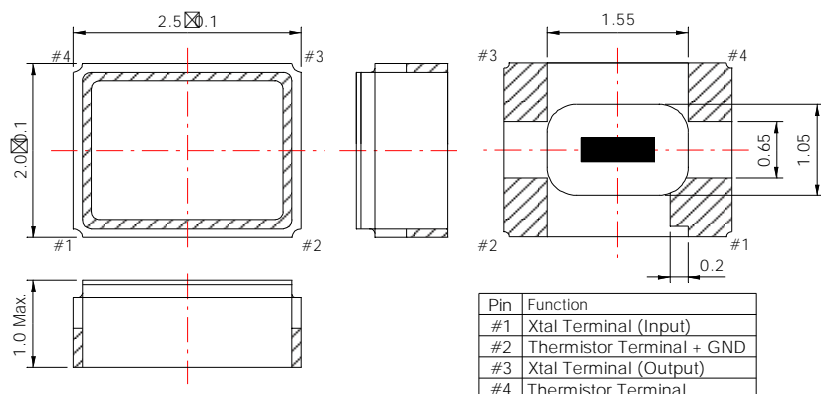
Equivalent series resistance

| Frequency (MHz) | Overtone Order | ESR (Ω MAX) |
|-----------------|----------------|-------------|
| 19.2 | Fundamental | 70 |
| 26 | Fundamental | 30, 50 |
| 76.8 | Fundamental | 30 |

* The mark “●” denotes our achieved level

* Inflection Point (T0): 25°C, 28.5°C, 30.5°C (26 MHz), 30°C (19.2 MHz)

■ Dimensions (unit: mm)



■ Land pattern (unit: mm)

